

PLANAR TRANSFORMER



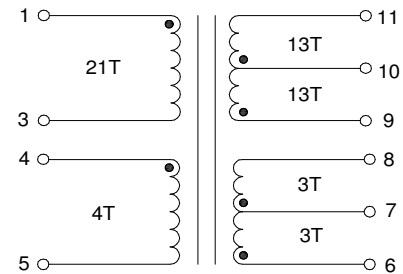
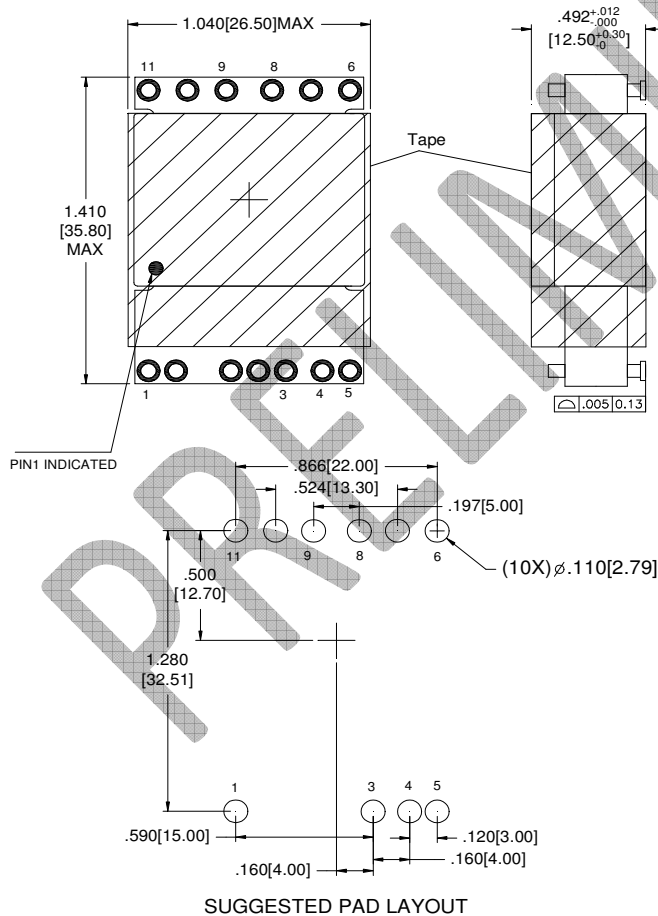
- Ⓢ Operating temperature: -55°C to $+130^{\circ}\text{C}$
- Ⓢ Storage temperature: -55°C to $+155^{\circ}\text{C}$
- Ⓢ Topology: LLC
- Ⓢ Lead finish: pure tin
- Ⓢ MSL: 1

Electrical Specifications @ 25°C

Part Number	Inductance 100kHz 1Vrms ($\mu\text{H} \pm 10\%$)	Leakage Inductance 100kHz 1Vrms (μH MAX)	DC Resistance (m Ω MAX)		DC Resistance (m Ω MAX)		Dielectric Withstanding Voltage @6s MIN (Vrms)		
	(1-3)	(1-3) with (6-11) shorted	(1-3)	(4-5)	(9-11)	(6-8)	(1,3,4,5) to (6,8,9,11)	(1,3,4,5) to core	(6,8,9,11) to core
PL3557NL	180	3.5	200	70	220	20	3000	3000	500

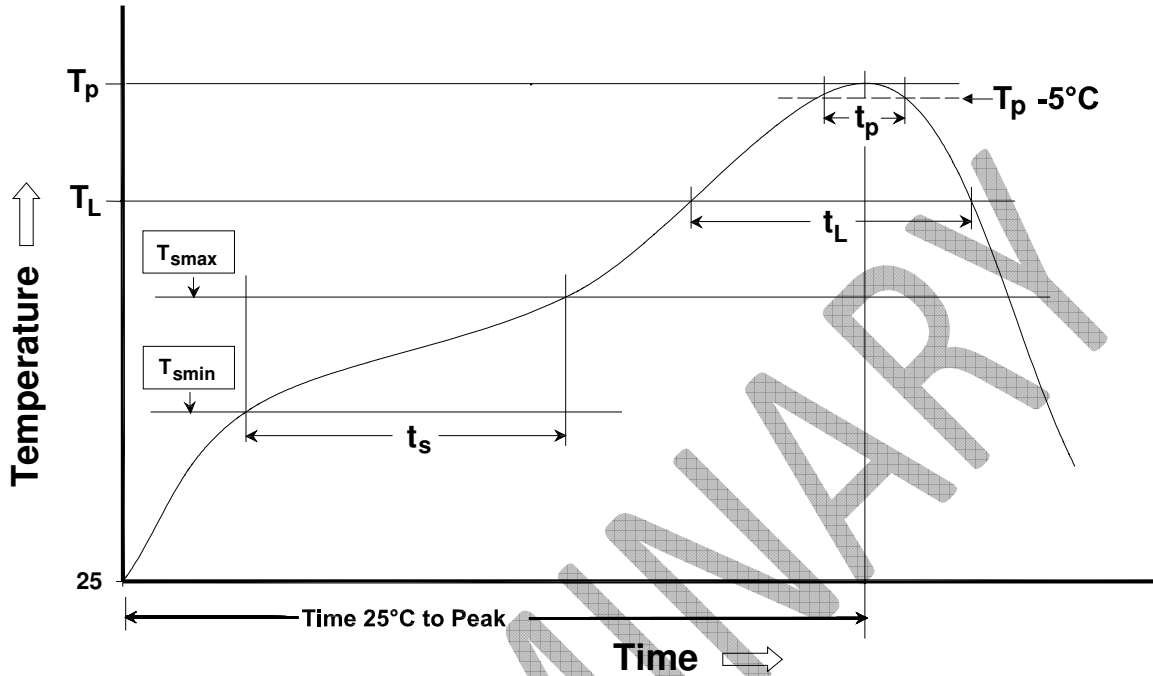
Mechanical

Schematic



Dimensions: inches[mm]
 Unless otherwise specified,
 all tolerances are $\pm .010$ [0.25]
 Weight.....35g
 Tray.....30pcs/Tray

Recommended Reflow Profile (Based on J-STD-020D)



T_{SMIN} (°C)	T_{SMAX} (°C)	T_L (°C)	T_P (°C MAX)	t_s (s)	t_L (s)	t_p (s MAX)	Ramp-up rate (T_L to T_P)	Ramp-down rate (T_P to T_L)	Time 25°C to peak temperature (s MAX)
150	200	217	245	60-120	60-150	30	3°C/s MAX	6°C/s MAX	480

Notes:

1. All temperatures measured on the package leads.
2. Maximum times of reflow cycle: 2.

For More Information

North America Headquarters

Two Pearl Buck Court
Bristol, PA 19007
U.S.A.

Tel: 215 781 6400
Fax: 215 781 6403

For Inquiries: prodinfo_military@pulserruggedized.com

Europe Sales Team

Jason Rees-U.K.
TEL: (44) 163 4670 945

Franck Millerand – France
TEL: (33) 642 025 747

Asia Sales Team

Leo Pan
TEL: (86) 135 4305 5204

Thomas Vacher
TEL: (65) 9298 8316

Steven Wang
TEL:(86) 189 0176 8824

India Regional Sales Team

Sriram Krishna
TEL: (91) 984 5017 459